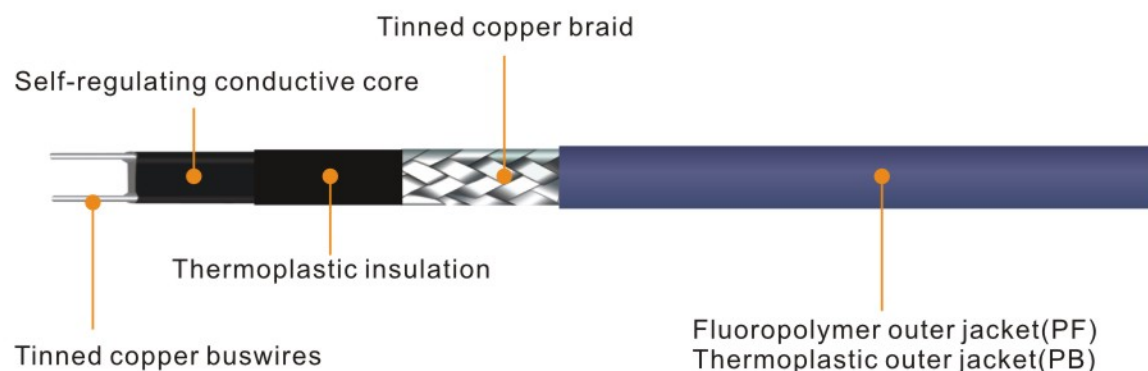


Cable Construction



Introduction

MSR Self Regulating Heating Cables provide the most versatility in heat trace designs and applications. Constructed of a semiconductive heater matrix extruded between parallel bus wires, a self-regulating cable adjusts its output to independently respond to ambient temperature all along its length. As temperature increasing, the heater's resistance increases which lower the output wattage. Conversely, as the temperature decreasing, the resistance decreases and the cable produces more heat. So it does not need thermostat in some applications. It will never overheat or burnout even when wrapped by itself (overlapped). It can also be cut to any length. The result — an energy efficient heating cable.

Technical data

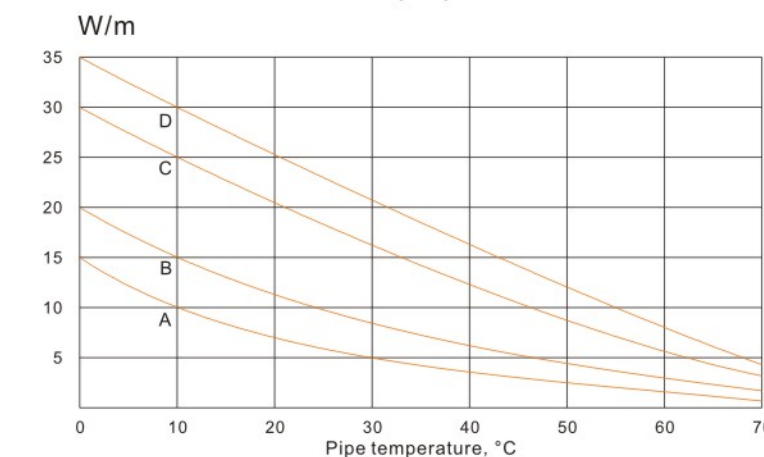
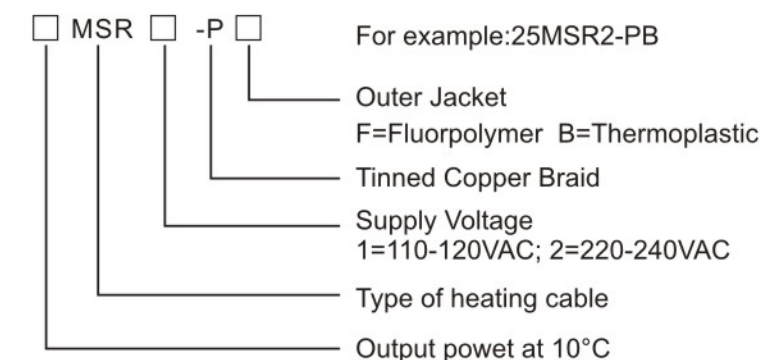
Output Wattage:	10, 15, 25,30(W/m)
Maximum maintain temperature:	65°C
Maximum exposure temperature:	85°C
Minimum installation temperature:	-40°C
Work voltage:	110V-120V / 220-240V
MSR Series:	
MSR-P:	Tinned copper metal braid
MSR-PB:	Thermoplastic outer jacket
MSR-PF:	Fluoropolymer outer jacket
Max resistance of braid	≤ 18.2Ω/km
Bus wire gauge	20AWG
Approvals:	CE PC

Application

MSR is ideally used for process temperature maintenance and frost protection of small diameter pipelines, tanks, valves, flanges. It is suitable for hazardous area, also non-hazardous area and corrosive area can use products with fluoropolymer outer jacket. What's more, the MSR with Fluoropolymer outer jacket can be used inside the water pipe heating. The material have the drinking water certificate. It's safe and made to comply with the environmental protection standards.

Power Output

Nominal power	A	10MSR
output at 230 VAC	B	15MSR
@+10°C	C	25MSR
	D	30MSR



Technical Summary

Part Number	Output power @ + 10°C (W/m)	Maximum maintain temperature (°C)	Max length @ +10°C 16/25A (m)	Max length @ + 0°C 16/25A (m)	Max length @ -20°C 16/25A (m)	Dimension (mm)	Weight (kg/100m)
10MSR-PB	10	65	60/80	54/70	40/60	8.3×5.4	6.6
10MSR-PF	10	65	60/80	54/70	40/60	8.0×5.1	6.0
15MSR-PB	15	65	57/86	51/68	38/55	8.3×5.4	6.6
15MSR-PF	15	65	57/76	51/68	38/55	8.0×5.1	6.0
25MSR-PB	25	65	46/55	38/50	33/49	8.3×5.4	6.6
25MSR-PF	25	65	46/55	38/50	33/49	8.0×5.1	6.0
30MSR-PB	30	65	37/45	35/43	30/39	8.3×5.4	6.6
30MSR-PF	30	65	37/45	35/43	30/39	8.0×5.1	6.0